

Humidity & Temperature Transmitter E2244



Features

- Excellent repeatability and stability
- Fully calibrated and temperature compensated
- Heavy duty IP65 protected enclosure
- 2 x 0-10 V and 2 x 4-20 mA analog outputs

Specifications

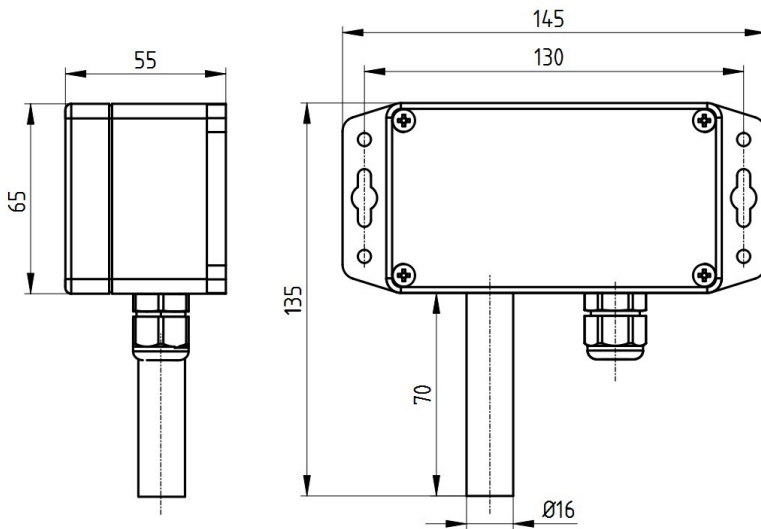
Sensor	Digital combined RH and T sensor
Measurement ranges	Wall-mount E2244: 0...100 %RH, -40...+60 °C Duct-mount E2244-DM: 0...100 %RH, -40...+80 °C
Resolution	0,01 %RH / 0,01 °C
Accuracy	±2,5 %RH / ±0,5 °C ±1,8 % RH / ±0,5 °C on request
Response time T63	4 s
Power supply	12...30 VDC (24 VDC nominal)
Power consumption	<1,2 VA
Analog outputs	2 x 4-20 mA and 2 x 0-10 V
Analog output scales	0...100 %RH -40...+60 °C as standard, custom scales on request
Cable connections	Screwless spring loaded terminals
Enclosure	Grey ABS, wall mount, protection class IP65
Dimensions	Wall-mount: H135 x W145 x D55 Duct-mount: H255 x W145 x D88
Operating environment	Residential, Industrial and office indoor and outdoor places
Operating conditions	-40...+60 °C, 0...100 %RH (non-condensing)
Probe	Wall-mount: Ø16xL70 mm, Duct-mount: Ø16xL200 mm, Incorporated into case, grey painted aluminium body

Duct-mount version

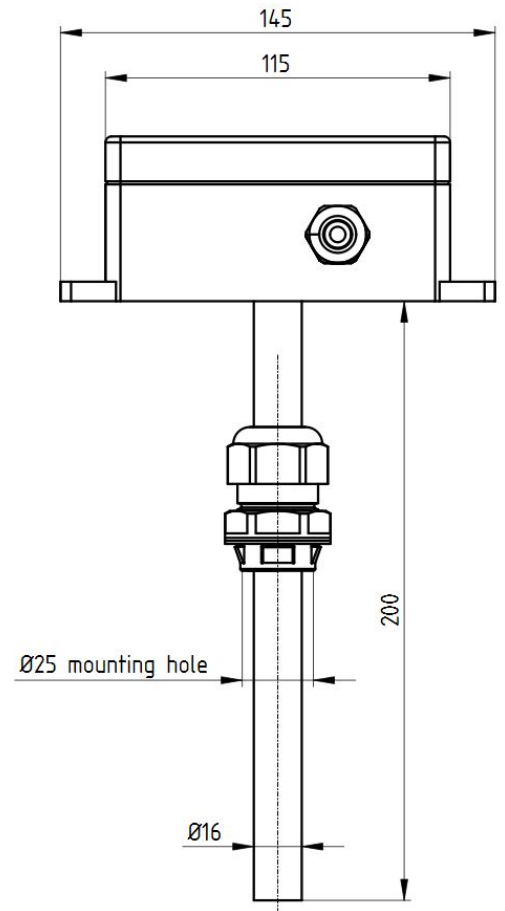


Mounting dimensions

Wall-mount version



Duct-mount version



Connection diagram

+U		Power +		+24 V
GND		Power -		0 V
GND		Analog GND		0 V
RH		Humidity mA		4-20 mA
TEMP		Temperature mA		4-20 mA
RH		Humidity V		0-10 V
TEMP		Temperature V		0-10 V