

Low Differential Pressure Transmitter-Regulator E2408-DF


 4-20 mA
 0-10 V

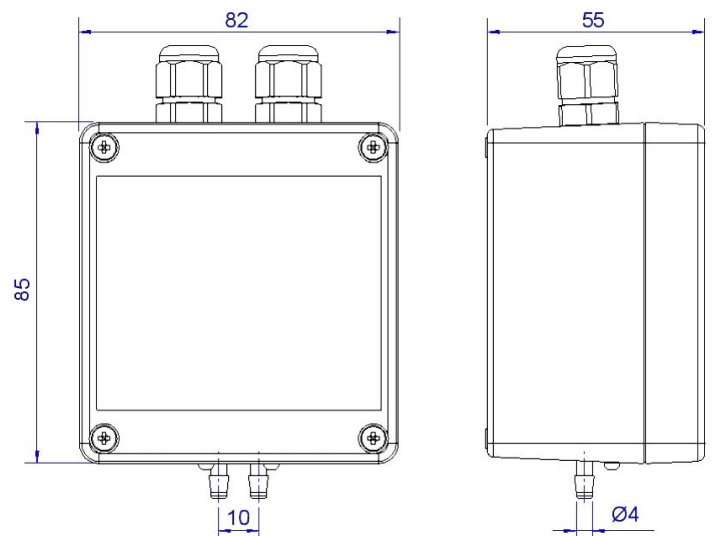
 RS485
 Modbus


Features

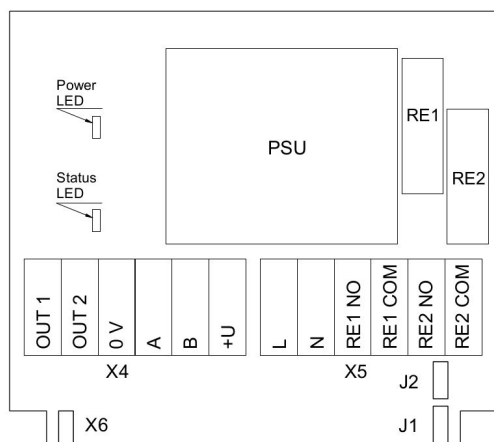
- Ranges from -50...+50 Pa to -500...+500 Pa
- High accuracy, repeatability and zero stability
- Fully calibrated and temperature compensated
- Two configurable SPST output relays
- Two analog outputs settable to 4-20 mA or 0-10 V
- RS485 Modbus RTU digital interface

Specifications

Measured media	Dry clean air without dust, oil, mist, or aggressive compounds
Ranges	E2408-DF-50: -50...+50 Pa E2408-DF-500: -500...+500 Pa
Resolution	0,1 Pa
Sensing method	Thermal microflow
Gas flow through sensor	23 ml/min for ± 50 Pa range 100 ml/min for ± 500 Pa range
Max. overpressure	10 kPa
Zero point accuracy	$\pm 0,2$ Pa, stability < 0,1 Pa / year
Span accuracy	$\pm 3\%$ of reading
Temperature effect	< 0,5% of reading per 10°C
Atm. pressure effect	< 0,1 % of reading per hPa
Power supply	12...36 VDC (default) 24 VAC or 230 VAC as options
Power consumption	< 2 W
Digital interface	RS485, Modbus RTU protocol
Analog outputs	2 \times 4-20 mA / 0-10 V, user switchable
Analog output scales	Freely adjustable within range
Standard output scales	0 - 25 Pa, -25...+25 Pa, 0 - 50 Pa, -50 - +50 Pa, 0 - 100 Pa, -100...+100 Pa, 0 - 250 Pa, -250 - +250 Pa, 0 - 500 Pa, -500 - +500 Pa
Output relays	2 \times SPST relays (closing contact), 250 VAC / 30 VDC, 5 A max
Relay set points	Freely adjustable within range
Enclosure	Grey ABS plastic, wall mount, protection class IP65
Dimensions	H85 \times W82 \times D55 mm
Pressure ports	$\varnothing 4,0...4,9$ mm, for 4/6 mm hose
Operating environment	Business and industrial spaces
Operating conditions	-20...+80 °C, 35...85%RH



Connection diagram



Version with PSU

Jumpers

J1	OUT1 type (open: 4-20 mA; closed 0-10 V)
J2	OUT2 type (open: 4-20 mA; closed 0-10 V)
X6	Reset Modbus network parameters to default

X4 terminals

OUT1	4-20 mA / 0-10 V output
OUT2	4-20 mA / 0-10 V output
0V	0 V / 24 VAC Neutral (optional)
A	RS485 A / Data +
B	RS485 B / Data -
+U	+24 VDC / 24 VAC Phase (optional)

X5 terminals (optional)

L	90...265 VAC Phase
N	90...265 VAC Neutral
RE1 NO	Relay 1, normally open terminal
RE1 COM	Relay 1, common terminal
RE2 NO	Relay 2, normally open terminal
RE2 COM	Relay 2, common terminal