

Low Differential Pressure Transmitter-Regulator E2408-DP


 4-20 mA
 0-10 V

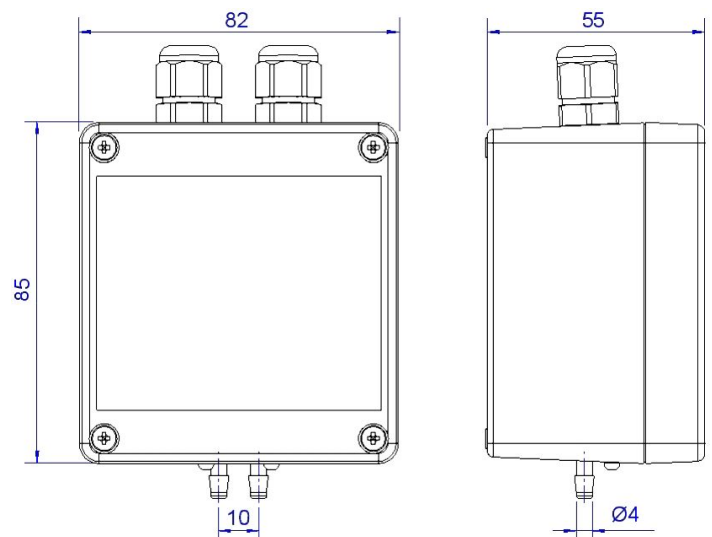
 RS485
 Modbus


Features

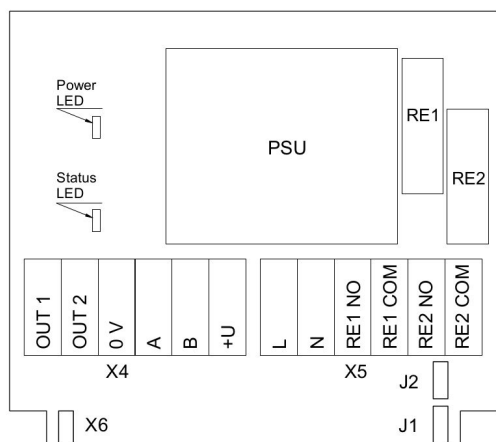
- Ranges from -1000...+1000 Pa to -10...+10 kPa
- High accuracy, repeatability and zero stability
- Fully calibrated and temperature compensated
- Two configurable SPST output relays
- Two analog outputs settable to 4-20 mA or 0-10 V
- RS485 Modbus RTU digital interface

Specifications

Measured media	Dry clean air without dust, oil, mist, or aggressive compounds	
Ranges	-1000...+1000 Pa -10...+10 kPa	
Resolution	0,1 Pa (for -1000...+1000 Pa range) 10 Pa (for -10...+10 kPa range)	
Max. range	-1...+1 kPa (-10...+10 mbar)	-10...+10 kPa (-100...+100 mbar)
Max. overpressure	10 kPa (0,1 bar)	80 kPa (0,8 bar)
Total accuracy	±20 Pa (0,2 mbar) ±200 Pa (2 mbar)	
Zero point stability	<±2%FS	
Temperature effect	Compensated within -5...+65 °C range	
Power supply	12...36 VDC (default) 24 VAC or 230 VAC as options	
Power consumption	< 2 W	
Digital interface	RS485, Modbus RTU protocol	
Analog outputs	2 × 4-20 mA / 0-10 V, user switchable	
Analog output scales	Freely adjustable within range	
Standard output scales	0 - 250 Pa, -250...+250 Pa, 0 - 500 Pa, -500...+500 Pa, 0 - 1,0 kPa, -1,0...+1,0 kPa, 0 - 2,5 kPa, -2,5...+2,5 kPa, 0 - 5,0 kPa, -5,0...+5,0 kPa, 0 - 10 kPa, -10...+10 kPa	
Output relays	2 × SPST relays (closing contact), 250 VAC / 30 VDC, 5 A max	
Relay set points	Freely adjustable within range	
Enclosure	Grey ABS plastic, wall mount, protection class IP65	
Dimensions	H85 × W82 × D55 mm	
Pressure ports	Ø4,0...4,9 mm, for 4/6 mm hose	
Operating environment	Business and industrial spaces	
Operating conditions	-5...+65 °C, <95 %RH	



Connection diagram



Version with PSU

Jumpers

J1	OUT1 type (open: 4-20 mA; closed 0-10 V)
J2	OUT2 type (open: 4-20 mA; closed 0-10 V)
X6	Reset Modbus network parameters to default

X4 terminals

OUT1	4-20 mA / 0-10 V output
OUT2	4-20 mA / 0-10 V output
0V	0 V / 24 VAC Neutral (optional)
A	RS485 A / Data +
B	RS485 B / Data -
+U	+24 VDC / 24 VAC Phase (optional)

X5 terminals (optional)

L	90...265 VAC Phase
N	90...265 VAC Neutral
RE1 NO	Relay 1, normally open terminal
RE1 COM	Relay 1, common terminal
RE2 NO	Relay 2, normally open terminal
RE2 COM	Relay 2, common terminal