



Ethylene Detector-Transmitter

E2608-C₂H₄



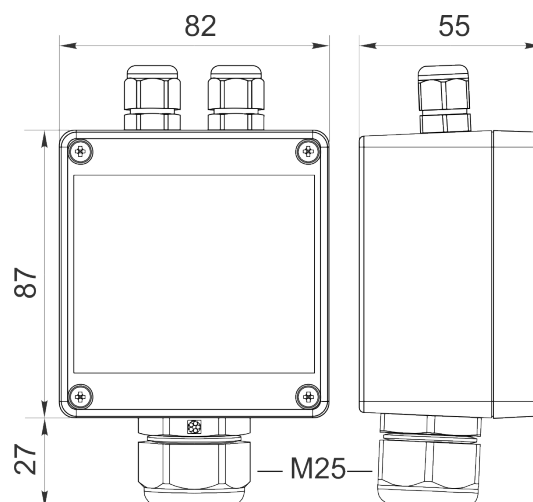
Features

- Wall-mount or duct-mount version
- Industrial IP65 housing
- Two analog outputs settable to 4-20 mA or 0-10 V
- RS485 Modbus RTU digital interface
- Two relays for alarm / ventilation control
- Attached or remote sensor

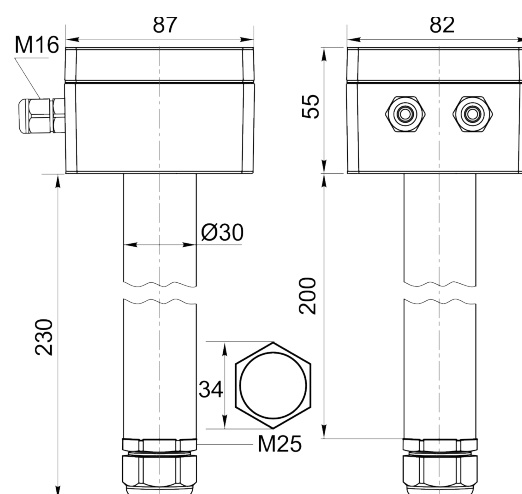
Specifications

Calibration	Ethylene C ₂ H ₄		
Sensor type	Electrochemical		
Sampling method	Diffusion		
Typical detection range	0...10 ppm	0...200 ppm	0...1500 ppm
Maximum overload	20 ppm	500 ppm	3000 ppm
Resolution / digital unit	0.1 ppm	1 ppm	1 ppm
Response time T80	< 60 s	< 60 s	< 60 s
Signal update	Every 1 second		
Sensor lifetime	> 2 years		
Maintenance interval	6 months		
Self-diagnostics	Full functionality check at start-up		
Warm-up time	≤ 1 min		
Power supply	11...30 VDC		
	24 VAC or 90...265 VAC as options		
Power consumption	< 2 VA		
Digital interface	RS485, Modbus RTU protocol		
Analog outputs	2 × 4-20 mA / 0-10 V, user settable		
Output scale width	Recommended: 20-100% of the range; > 10 × resolution in any case		
Output relays	2 × SPST relays (closing contact), 250 VAC / 30 VDC, 5 A max		
Default alarm setpoints	Determined by user within 5-95% of the range		
Enclosure	Light beige ABS plastic, wall mount, protection class IP65		
Dimensions	H85 × W82 × D55 mm		
Remote sensor probe	Protection IP65, shielded cable default cable length 3.0 m		
Operating environment	Industrial indoor and outdoor locations		
Operating conditions	-20...+50°C, 15...100 %RH; 0,9...1,1 atm; Explosion safe areas; Non-aggressive atmosphere		

Wall mount version



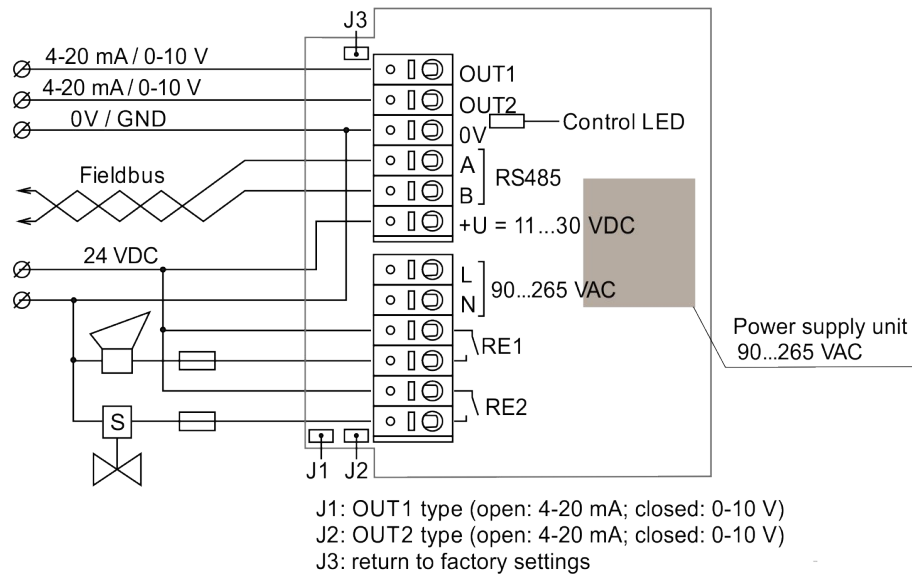
Duct mount version



Ask for other versions or custom designed products



Connection diagram



Remote probe

