

# Hydrogen Sulfide Detector-Transmitter E2608-H2S



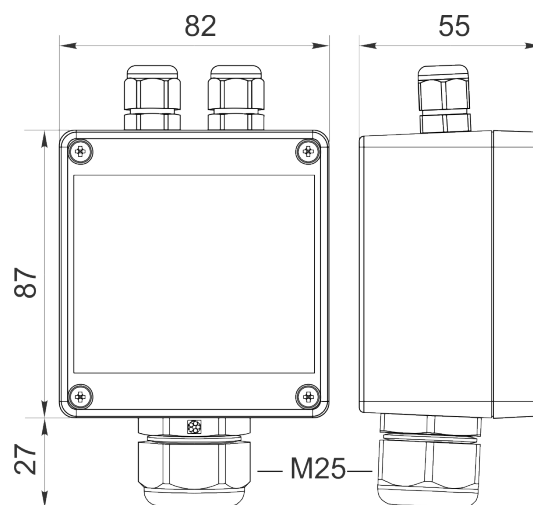
## Features

- Wall-mount or duct-mount version
- Industrial IP65 housing
- Two analog outputs settable to 4-20 mA or 0-10 V
- RS485 Modbus RTU digital interface
- Two relays for alarm / ventilation control
- Attached or remote sensor

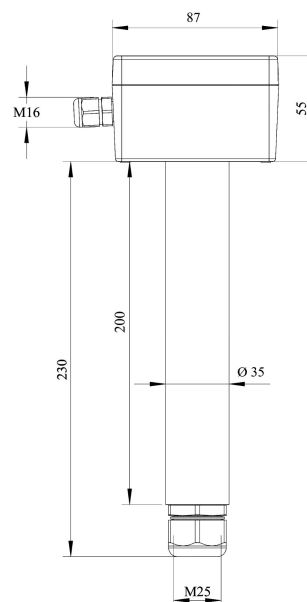
## Specifications

|                          |  |              |
|--------------------------|--|--------------|
| Calibration              | Hydrogen sulfide H <sub>2</sub> S  |              |
| Sensor type              | Electrochemical  |              |
| Sampling method          | Diffusion  |              |
| Typical detection range  | 0...100 ppm  | 0...2000 ppm |
| Maximum overload         | 500 ppm  | 4000 ppm     |
| Resolution /digital unit | 1 ppm  | 1 ppm        |
| Response time T90        | < 30 s   | < 25 s       |
| Operating temperature    | -30...+50 °C   | -40...+50 °C |
| Signal update            | Every 1 second   |              |
| Sensor lifetime          | > 2 years  |              |
| Maintenance interval     | 6 months   |              |
| Self-diagnostics         | Full functionality check at start-up   |              |
| Warm-up time             | ≤ 1 min  |              |
| Power supply             | 12...36 VDC (default),<br>24 VAC or 230 VAC as options   |              |
| Power consumption        | < 2 VA   |              |
| Digital interface        | RS485, Modbus RTU protocol   |              |
| Analog outputs           | 2 × 4-20 mA / 0-10 V, user settable  |              |
| Output scale width       | Recommended: 20-100% of the range;<br>> 10 × resolution in any case  |              |
| Output relays            | 2 × SPST relays (closing contact),<br>250 VAC / 30 VDC, 5 A max  |              |
| Default alarm setpoints  | For 0...100 ppm range:<br>LOW: set 10; release 8 ppm<br>HIGH: set 20; release 16 ppm<br>for 0...2000 ppm range:<br>determined by user within 5-95% of the range  |              |
| Enclosure                | Grey ABS plastic, wall mount,<br>protection class IP65   |              |
| Dimensions               | H87 × W82 × D55 mm   |              |
| Remote sensor probe      | Protection IP65, shielded cable<br>default cable length 3.0 m  |              |
| Operating environment    | Industrial indoor and outdoor locations  |              |
| Operating conditions     | (operating temperature is specified above)<br>0.9...1,1 atm<br>15...90% RH non-condensing<br>Explosion-safe areas<br>Non-aggressive atmosphere<br><b>NOTE!</b> We offer technical solutions for<br>extreme humidity, please ask for more<br>information. |              |

### Wall mount version



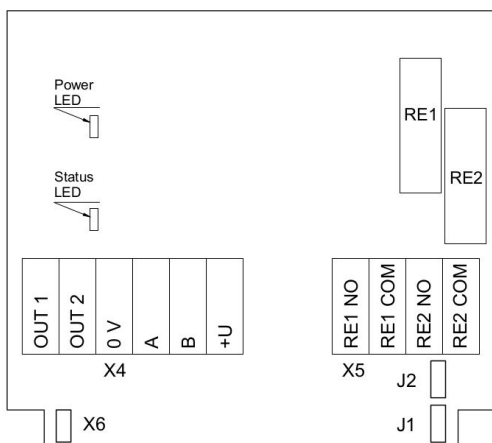
### Duct mount version



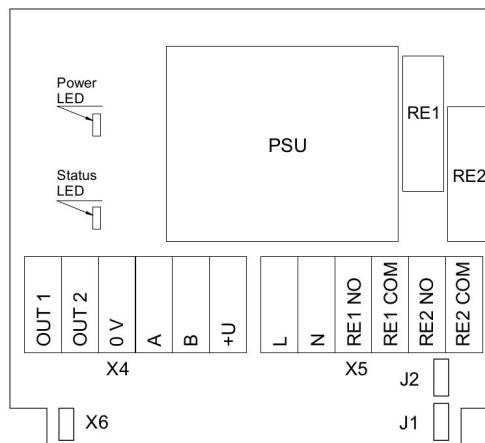
Ask for other versions or custom designed products



## Connection diagrams



Version without PSU



Version with PSU

### Jumpers

J1

OUT1 type (open: 4-20 mA; closed 0-10 V)

J2

OUT2 type (open: 4-20 mA; closed 0-10 V)

X6

Reset Modbus network parameters to default

### X4 terminals

OUT1

4-20 mA / 0-10 V output

OUT2

4-20 mA / 0-10 V output

0V

0 V / 24 VAC Neutral (optional)

A

RS485 A / Data +

B

RS485 B / Data -

+U

+24 VDC / 24 VAC Phase (optional)

### X5 terminals (optional)

L

90...265 VAC Phase

N

90...265 VAC Neutral

RE1 NO

Relay 1, normally open terminal

RE1 COM

Relay 1, common terminal

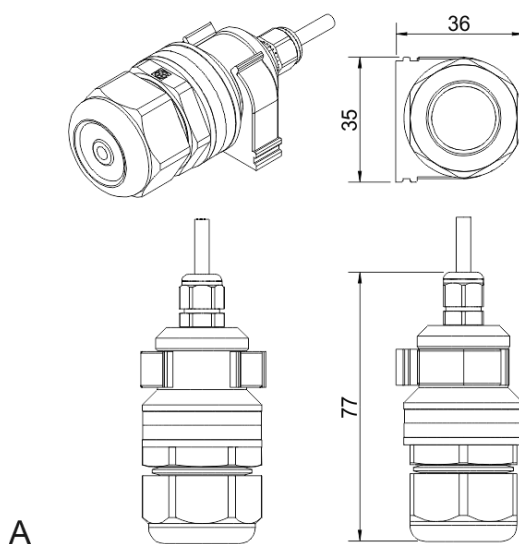
RE2 NO

Relay 2, normally open terminal

RE2 COM

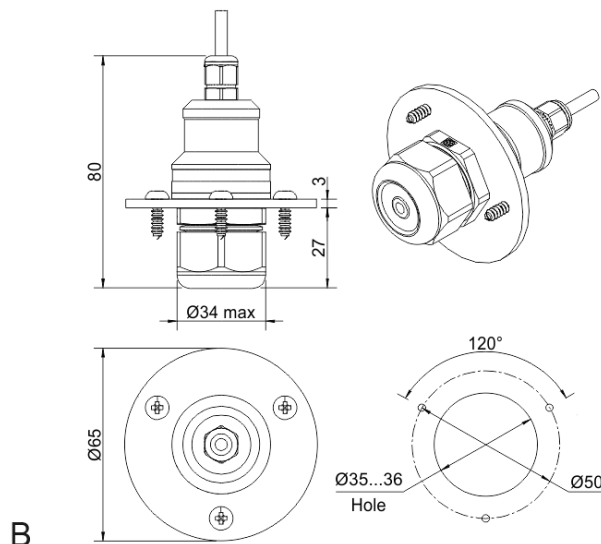
Relay 2, common terminal

## Remote probe



A

Wall mount remote probe with fixing clamp (default version)



B

Remote probe with rubber flange and three self-tapping screws (on request)

