



Nitrogen Dioxide Detector E2613-NO2



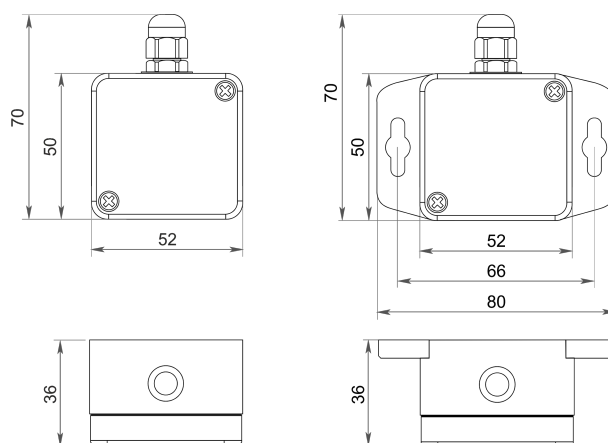
Features

- Maintenance free sensor
- SPDT relay for alarm / ventilation control
- Range of compact wall mount enclosures
- Low cost for volume HVAC applications

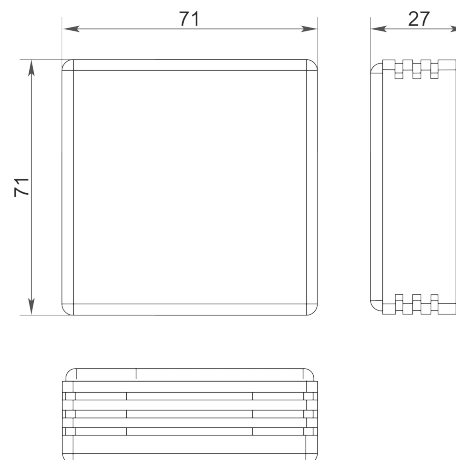
Specifications

| | |
|--|---|
| Sensor type | electrochemical |
| Sampling method | diffusion |
| Detection range | 0-1 or 0-5 ppm |
| Response time | ≤ 25 s |
| Sensor protection | microporous PTFE dust filter |
| Warm-up time | ≤ 1 min |
| Relay output | switch-over contact (SPDT), 250 VAC / 30 VDC, 5 A max |
| Power supply | 12...30 VDC |
| Power consumption | < 1 W |
| Sensor lifetime | ≥ 5 years |
| Sensitivity drift | < ±20% in 5 years |
| Indoors enclosure IP20 version | white, ivory or black ABS plastic, wall mount, protection class IP20 |
| Weatherproof enclosure IP65 version | light or dark grey ABS plastic, wall mount, protection class IP65 |
| Operating conditions | -20°C to +50°C, 15-90% RH constantly, 0-99% RH intermittently pressure 0,9...1,1 atm |
| EMC Emissions | to EN 61000-6-3, EN 61326-1 |
| EMC Immunity | to EN 61000-6-1, EN 61000-6-2 |

IP65 Enclosures



IP20 Enclosures



Ask for other versions or custom designed products

