



Combustible Gases Transmitter E2617-LEL



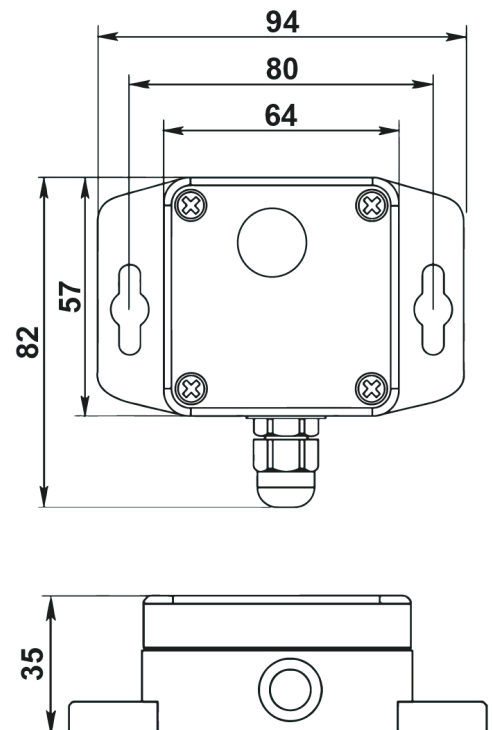
Features

- High long-term stability
- User selectable output 4-20 mA / 0-10 V
- Fully calibrated and temperature compensated
- Low cost for volume HVAC applications

Specifications

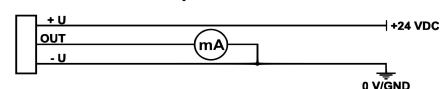
Detectable gases	Hydrogen, propane, methane, butane
Sensor type	Pellistor (Catalytic Bead)
Sampling method	Diffusion
Detection ranges	0-100 %LEL
Response time T90	≤ 10 s
Sensor protection	Microporous PTFE dust filter
Analog output	4-20 mA / 0-10 V, user selectable
Power supply	24 VDC ± 20%
Power consumption	< 1 W
Sensor lifetime	> 3 years *in an appropriate residential or light commercial applications
Sensitivity drift	< ± 5% / year *in an appropriate residential or light commercial applications
Enclosure	Grey ABS plastic, wall mount, protection class IP65
Dimensions	H82 × W94 × D35 mm
Operating conditions	-20...+60°C, 0-95 %RH non-condensing, pressure 900 to 1100 mbar Explosion safe indoor areas Avoid strong mechanical shock, vibrations, or EMI Avoid exposure to corrosive gases NOTE! The sensor may exhibit sensitivity to most combustible gases.
EMC Emissions	To EN 61000-6-3, EN 61326-1
EMC Immunity	To EN 61000-6-1, EN 61000-6-2

Dimensions

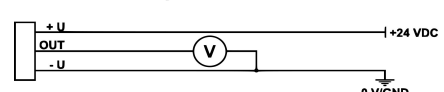


Connection diagrams

3-wire 4-20 mA output



3-wire 0-10 V output



Ask for other versions or custom designed products