

# Oxygen Transmitter E2618-O2-L



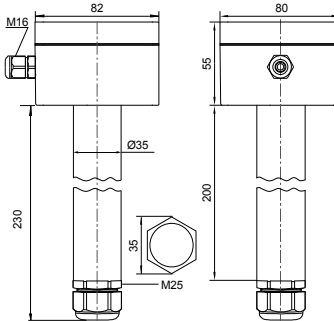
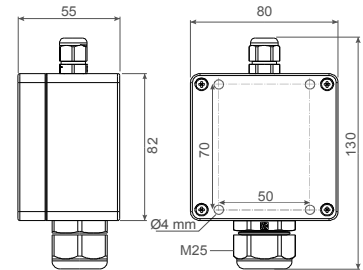
## Features

- Oxygen deficiency detection in confined spaces
- Fluorescence-based sensor
- Wall mount or duct-mount robust enclosure
- Remote probe option
- Two analog outputs settable to 4-20 mA or 0-10 V
- RS485 Modbus RTU digital interface
- LCD indicator option

## Specifications

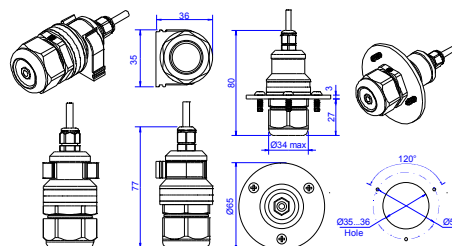
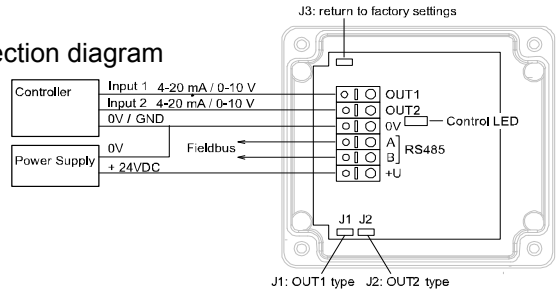
Calibration	Oxygen O <sub>2</sub>
Sensor type	Optical (fluorescence-based)
Sampling method	Diffusion
Detection range	0...25 %vol O <sub>2</sub>
Resolution	0.01 %vol O <sub>2</sub>
Signal update	every 1 second
Response time	< 30 seconds
Sensor lifetime	> 5 years
Maintenance interval	Maintenance free if used under moderate conditions without extreme fluctuations
Self-diagnostics	Full functionality check at start-up
Warm-up time	≤ 1 min
Power supply	11...30 VDC / 24 VAC
Power consumption	< 2 VA
Digital interface	RS485, Modbus RTU protocol
Analog outputs	2 × 4-20 mA / 0-10 V, user settable
Enclosure	Grey ABS plastic, wall mount, protection class IP65
Dimensions	H82 × W80 × D55 mm
Remote sensor probe	Protection IP65, shielded cable default cable length 3.0 m
Operating environment	Industrial indoor and outdoor areas
Operating conditions	-30...60 °C, 15...90 %RH, atmospheric pressure ±10%; non ATEXrated areas, non-aggressive atmosphere
<b>LCD indicator option</b>	
Operating temperature	0...+50 °C,
Display dimensions	72 × 36 mm
Number of digits	3.5 7-segment
Character height	14 mm
Other features	Backlight

Wall-mount version



Duct-mount version

Connection diagram



Remote probe

Ask for other versions or custom designed products

