

PluraSens®



# Hydrogen Sulfide Detector-Transmitter

**E2658-H2S**

User Manual

**Evikon**

# Table of contents

Hydrogen Sulfide	<b>3</b>
Specifications	<b>4</b>
Product description	<b>6</b>
Safety requirements	<b>6</b>
Operating conditions	<b>7</b>
Installation guidelines	<b>7</b>
Mounting dimensions	<b>9</b>
Sensor probe handling	<b>10</b>
Gas sensor replacement procedures	<b>10</b>
Electrical connections	<b>11</b>
Operation	<b>13</b>
Maintenance	<b>13</b>
Calibration	<b>13</b>
Delivery set	<b>14</b>
Order code for E2658-H2S options	14
Configuring	<b>15</b>
Return to default settings	<b>15</b>
Modbus RTU Communication	<b>16</b>
RS485 communication interface	16
Communication parameters	16
Modbus holding registers	<b>16</b>
Warranty	<b>21</b>
Manufacturer contacts	<b>21</b>

## Hydrogen Sulfide

Colorless toxic, corrosive and flammable gas with a smell of rotten eggs. Occurs in natural gas, volcanic gases, petroleum, and some sources of well water. It results from the anaerobic decay of sulfur-containing proteins, e.g. in sewers.

Synonyms: Hydrosulfuric acid, Sewer gas, Sulfuretted hydrogen.

Chemical formula	H <sub>2</sub> S	
Molar weight	34	
Conversion	1 ppm = 1.40 mg/m <sup>3</sup>	
Relative gas density (to air)	1.17	
Boiling point	-60 °C	
Low explosive limit (LEL), % vol. in air	4.0	
Upper explosive limit (UEL), % vol. in air	44.0	
Odor	The characteristic smell of rotten eggs. Above 30 ppm, the odor is described as sweet or sickeningly sweet.	
Odor threshold	0.01-1.5 ppm <b>Note:</b> Sense of smell becomes rapidly fatigued and can NOT be relied upon to warn of the continuous presence of H <sub>2</sub> S.	
Hazards	Highly flammable, explosive gas. Broad-spectrum poison, mostly affecting the nervous system. At low concentrations causes eye irritation, a sore throat and cough, nausea, shortness of breath, and pulmonary edema. Long-term, low-level exposure results in fatigue, loss of appetite, headache, poor memory, irritability, and dizziness. Exposure to high levels can induce immediate collapse, with loss of breathing and a high probability of death.	
Exposure limits (Commission Directive 2009/161/EU)	TWA	7 mg/mm <sup>3</sup> / 5 ppm
	STEL	14 mg/mm <sup>3</sup> / 10 ppm
	IDLH (NIOSH)	140 mg/mm <sup>3</sup> / 100 ppm

Conversion of ppm to mg/m<sup>3</sup> is calculated for 25°C and 1 atm.

## Specifications

Sensor type	Electrochemical cell	
Sampling method	Diffusion	
Typical detection range	0...100 ppm	0...2000 ppm
Maximum overload	500 ppm	nd
Resolution / digital unit	0.1 ppm	2 ppm
Response time T90	< 30 s	< 25 s
Operating temperature	-30...+50 °C	-40...+50 °C
Sensor lifetime	> 2 years	
Calibration interval	6 months	
Signal update	Every 1 second	
Power supply	11...30 VDC (default), 24 VAC or 90...265 VAC as options	
Power consumption	< 2 VA	
Analog outputs	2 × 4-20 mA / 0-10 V, user settable	
Outputs assignment	OUT1 2 gas; OUT2 2 gas	
Output scale width	> 10 × resolution Recommended: 20-100% of the detection range	
Load resistance	$R_L < (U_s - 2 V) / 22 \text{ mA}$ for 4-20 mA $R_L > 250 \text{ k}\Omega$ for 0-10 V mode	
Digital interface	RS485, Modbus RTU protocol No galvanic isolation	
Cable connections	Screwless spring-loaded terminals	
Enclosure	Grey die-cast aluminum, wall mount, IP66	
Cable glands	M25 for SWA cable or steel conduit Ø10...17 mm	
Dimensions	H80 × W125 × D57 / H80 × W175 × D80 mm	
Protection	Flameproof, ATEX: II 2 GD, Ex ed IIC T4 Gb	
ATEX Approvals	<p style="text-align: right;"><b>Enclosure:</b></p> ATEX / IECEx      DEMKO 13 ATEX 1327771U II 2 G Ex c IIC Gb      II 2 D Ex tb IIIC Db IP66 <p style="text-align: right;"><b>Glands:</b></p> ATEX / IECEx      II2G Ex e II IP68 IBExU08ATEX 1063 X Ex II 1D Ex tD A20 IP 6x Ex	

CE marking	According to 2014/30/EU and 2014/34/EU, EN 61000-6-3:2020, EN 61326-1:2013 (EMC, Emissions) EN 61000-6-1:2019, EN 61000-6-2:2019, EN 61326-2-1:2013 (EMC, Immunity) EN 60079-0:2018, EN 60079-1:2014, EN 60079-31:2014, EN 60079-29-1:2016, EN 60079-29-2:2015, EN 60079-29-3:2014	
Operating conditions	(operating temperature is specified above) 15...90 %RH non-condensing, 0,9...1,1 atm Explosion-safe zones and ATEX Zones 2 and 22, Non-aggressive atmosphere	
<b>Relay option</b>		
Output relays	2 × SPST relays (closing contact), 250 VAC / 30 VDC, 5 A max	
Default alarm setpoints (set/release)	LOW: 10 ppm/ 8 ppm HIGH: 20ppm/16 ppm	Defined by user within 5-95% of the detection range

## Product description

E2658 is a series of flameproof gas detectors-transmitters intended for operation in safe zones and ATEX Zones 2 and 22. E2658 series devices are based on PluraSens® multifunctional platform and provide all its features. The instruments utilize gas sensors of various types with excellent repeatability, stability, and long lifetime.

E2658 series provides two independent analog outputs OUT1 and OUT2, user-selectable to 4-20 mA or 0-10 V, proportional to gas concentrations. RS485 Modbus RTU digital communication interface allows easy instrument configuration and integration into various automation systems.

The following features are available as an option:

- Two relays RE1 and RE2 with closing contacts. Relay outputs can be used to switch alarm sirens, ventilation fans, shut-off valves, or other actuators,
- 24 VAC or 230 VAC as options for power supply.

The version of your detector is marked on the package. If the symbol  $\triangle$  is marked on the equipment, consult the documentation for further information.

## Safety requirements

Misuse will impair the protection of the product. Always adhere to the safety provisions applicable in the country of use.

Do not perform any maintenance operation with the power on. Do not let water or foreign objects inside the device.

Removal of the PCB from the enclosure voids the warranty. Do not touch the electronic components directly, as they are sensitive to static electricity.

Connection diagrams can be found in the electrical connections section. The device might not perform correctly or be damaged if the wrong power supply is connected.

It is crucial to tighten properly all the thread connections (screws, cable glands). Use ATEX certified armored cables or cable conduits that are rated for use in the desired environment.

A disconnecting device that is marked as such and easily accessible should be included in the installation of this product.

The device should be properly earthed.

## Operating conditions

The device should be used in a basic electromagnetic environment, where the latter is defined in EN 61326-1. Avoid strong mechanical shock and vibrations. Although E2658 series devices are suitable for use in the presence of flammable dust, special precautions should be taken when operating in a dusty environment. Dust may block the porous filter of the sensor and compromise the results of the measurement. The detector should be inspected regularly if used in a dusty atmosphere. Keep the instrument away from direct sunlight. A sudden temperature or humidity change might affect the sensitivity of the sensor. Make sure that installation and maintenance are performed in an explosion safe atmosphere.

## Installation guidelines

Before proceeding with the installation it is mandatory to read the Safety requirements section and make sure to comply with all listed instructions. Installation standards EN 60079-29-2 and EN 45544-4 are also recommended for further instructions and related information about the installation. During the installation of the detector-transmitter the following points must be considered:

- Application (air quality control or leakage detection.)
- Properties of the space under investigation (room geometry, direction, and velocity of airflows, etc.),
- Hydrogen sulfide is slightly heavier than air and spreads evenly in the room. The recommended location is close to the potential leakage source.
- The device should be accessible for maintenance and repair.

The aforementioned conditions above will affect the coverage area of the device. however, the coverage area for a detector-transmitter is usually between 2.5 to 5 meters radius.

For early leakage detection install the sensor as close as possible to the potential leakage sources (flanges, valves, pressure reducers, pumps, etc.), taking into consideration other points listed above.

For general area monitoring without definite leakage sources, the detectors should be distributed evenly in the room.

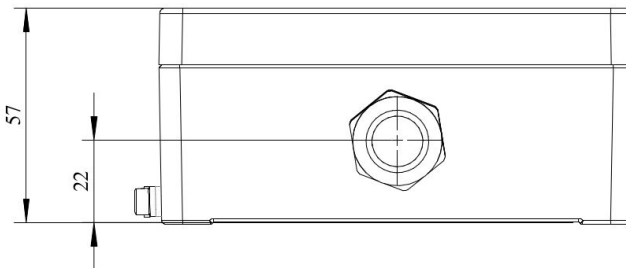
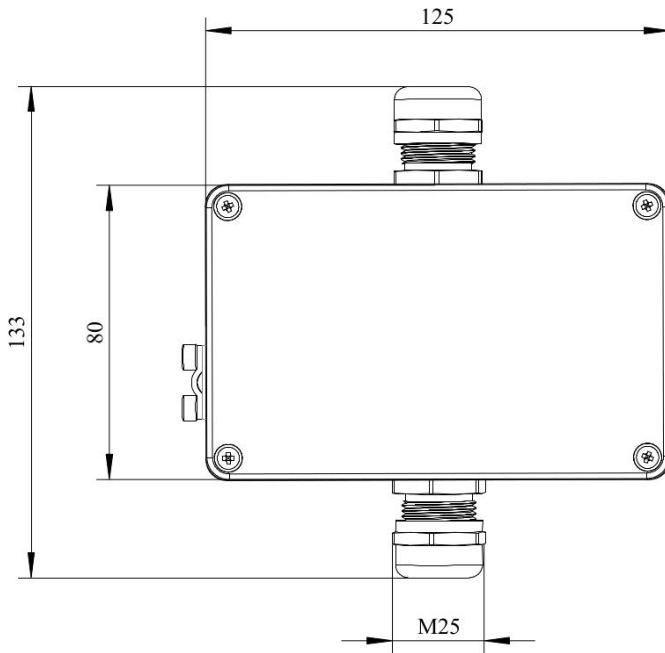
For personal safety control, the detectors are installed in the breathing zone (at the height of the head of people or animals). The recommended sensor position is vertical, pointing downwards.

The device is fixed on the wall using two fixing holes located outside the sealed area of the device (see dimensional drawing). Unscrew four lid screws and detach the lid from the detector. Fix the detector on the wall and earth the enclosure using an earthing terminal on the side of the device.

**NOTE!** Never perform installation or maintenance in an explosive atmosphere!



## Mounting dimensions



## Sensor probe handling

The sensor probes of all types are equipped with a hydrophobic microporous PTFE filter to protect the sensor from dust, dirt, and water drops. The filter should be replaced if it gets strongly contaminated. To replace the PTFE filter, unscrew the M25 nut and remove the old filter. Place a new filter into the nut and tighten it again.

**NOTE!** Never stab or press the filter near its center where the sensor is located since this may damage the sensor. Do not remove the filter as it may cause the device to show incorrect values.

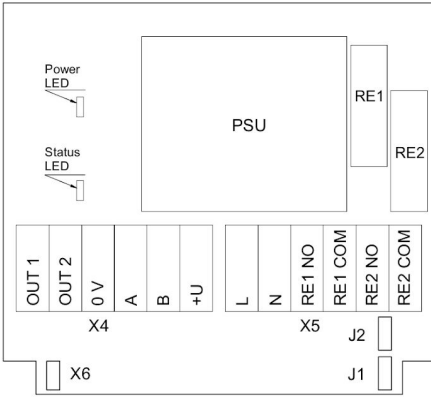
The recommended orientation of the sensor probe is vertical with the sensor tip pointing downwards. This prevents the possible accumulation of condensed water on the sensor protection filter.

## Gas sensor replacement procedures

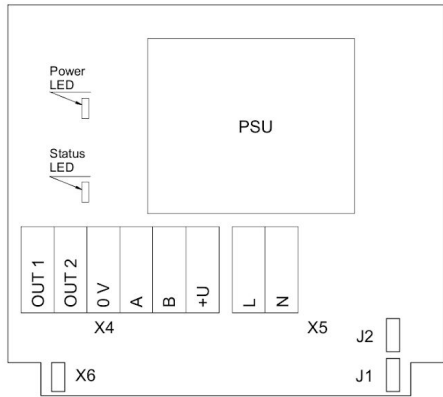
1. Remove the sensor head cap from the device,
2. Remove the PTFE filter (if it is not removed within the cap),
3. Remove the O-ring rubber,
4. Detach the electrochemical sensor from the device,
5. Insert the new electrochemical sensor inside,
6. Put back the O-ring rubber, PTFE filter, and the head cap, respectively.

## Electrical connections

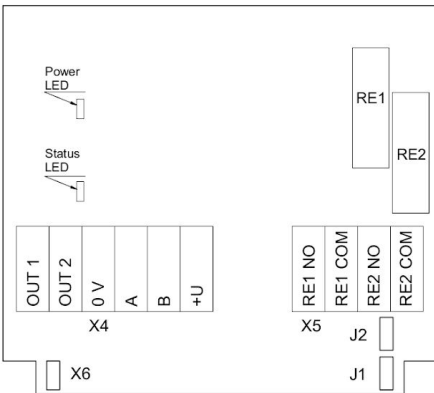
Unscrew four lid screws and detach the lid from the device. Use the M25 cable gland to let in the cables of the power supply and of the external devices. Without turning on the power, plug the power cable, and connect the analog/relay outputs and/or digital interface terminals to the necessary devices according to the relevant connection diagram.



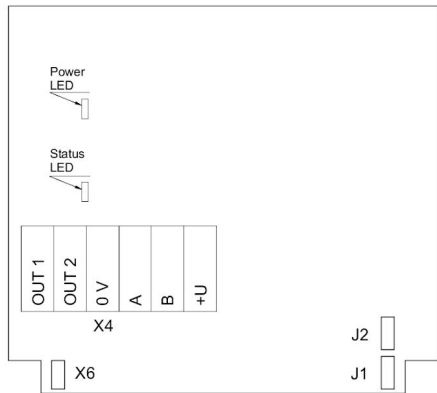
Version with PSU and relays



Version with PSU and without relays



Version without PSU and with relays



Version without PSU and relays

The screwless quick connect spring terminals on the E2658 series devices are suitable for a wide range of wires with cross-section 0,5...1,5 mm<sup>2</sup>. We recommend to strip the wire end by 8...9 mm and use the wire end sleeves.

To connect the wire, insert the wire end into the terminal hole. To disconnect, push the spring-loaded terminal lever, pull the wire out, and release the lever.

Use a twisted-pair cable, e.g. LiYY TP 2×2×0.5 mm<sup>2</sup> or CAT 5, to connect the device to the RS485 network. A and B on the device represent data+ and data- respectively, polarity must be respected when connecting to an external RS485 network.

Both analog outputs can be independently changed between 4-20 mA and 0-10 V type using jumpers J1 (OUT1) and J2 (OUT2). By closing pins on a specific jumper the related output is 0-10 V, with an open jumper the output is 4-20 mA. Power restart is required after changing the position of the jumpers.

**NOTE!** The outputs are not galvanically isolated from the 24 V power supply and share a common 0V. Allowed load resistance limits are stated in the Specifications table. To power the instrument from an external 24 VDC source, connect terminals 0V and +U to the source. If the integrated mains power supply module is used, connect terminals L and N to the mains.

**NOTE!** Actuator short-circuits should be avoided, to protect the instrument relays using external fuses or safety switches.

## Operation

Turn on the power. The instrument warm-up time takes about 1 minute after switching on and the final sensor stabilization time to maximum accuracy takes about 5 minutes. The operating status is indicated by the LED on the PCB of the device. The control LED (red) response to different processes is presented in the following table:

Mode	LED mode
During calibration mode or sensor heating period (if activated)	0.5 Hz (50% on, 50% off)
Relay 1 turned on	Blinking 1 Hz (50% on, 50% off)
Relay 2 turned on	Blinking 2 Hz (50% on, 50% off)
During the Modbus communication cycle	Short on-off pulses
Normal operating/measurement	Continuously on or off

Make sure that the detector-transmitter is properly mounted, the external devices connected, the power LED (green) on, and the control LED (red) is constantly lit. Place the lid back and fix it with the screws. Make certain that the cable gland and the screws fixing the front lid are properly tightened to ensure the conformity to IP66 protection class and ATEX requirements. Make certain that the device is properly earthed. The device is ready to use.

## Maintenance

Do not perform any maintenance operation with the power on.

Clean the device with a soft damp cloth. Do not use any abrasive cleaning agents. Do not immerse the device in water or any cleaning media.

## Calibration

E2658-H2S detector-transmitters have been calibrated by the Manufacturer with standard gas mixtures before delivery. Provided that the sensor is used under moderate conditions, field recalibration is recommended every 6 months. Please contact your dealer for more information.

## Delivery set

- Detector-transmitter E2658
- Mounting accessories:
  - 2 screws with plastic dowels

## Order code for E2658-H2S options

E2658 options	Order code
Integrated 90...265 V mains power supply module	E2658-H2S-230
Integrated 24 VAC power supply module	E2658-H2S-24VAC
Two SPST relays	E2658-H2S-R

## Configuring

A standard configuration kit includes a USB-RS485 converter, fixed flow regulator, gas tubing with applicators, and a software pack. Please contact your Seller for more information.

Detectors- transmitters E2658 share all functionalities of the PluraSens® multifunctional platform. The features and options include:

- Digital output change rate-limiting filter
- Digital integrating (averaging) filter
- Free assignment of each analog output to the chosen parameter
- Flexible setting of analog output scales for each output
- Output zero and slope adjustment for calibration
- Free assignment of each of two relays to the chosen parameter
- Several relay control logic modes
- Switch delays and minimum on/off state durations for each relay

The output scales can be changed by Modbus commands by using the configuration software and the standard kit (see Modbus RTU Communication).

## Return to default settings

To reset the device's Slave ID, baud rate, and stop bit numbers to factory settings, proceed as follows:

1. De-energize the device
2. Connect the X6 jumper
3. Turn on the device
4. De-energize the device
5. Disconnect the X6 jumper
6. Turn on the device

## Modbus RTU Communication

### RS485 communication interface

Databits: 8 Parity: none / odd / even Stop bits: 1 or 2 Protocol: Modbus RTU	Supported Modbus functions: 03 – Read multiple registers 06 – Write a single register
---	---

### Communication parameters

Parameter	Permitted values	Default
Supported baud rates	1200, 2400, 4800, 9600, 19200, 38400, 57600	9600
Data bits	8	8
Parity	none / odd / even	none
Stop bits	1, 2	1
Protocol	Modbus RTU	
Modbus functions	03 - Read multiple registers 06 - Write a single register	
Error codes	01 – Illegal function 02 – Illegal data address 03 – Illegal data value 04 – Slave device failure (details of last error 04 can be read from register 0x0008)	

## Modbus holding registers

Register addresses are shown 0-based, Addr in hexadecimal, Reg in decimal format.

Modbus holding register numbers MHR are shown in the decimal 1-based format and may be addressed either from 00001 or 40001 base.

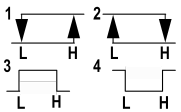
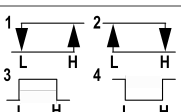
Addr	Reg / MHR	RW	Description	Supported values (dec)	Default
0x0001	1 / 40002	R	Hardware version		-
0x0002	2 / 40003	R	Software version		-
0x0003	3 / 40004	R	Product serial number	1...65535	-
0x0004	4 / 40005	RW	Slave ID (net address) *	1...247 **	1
0x0005	5 / 40006	RW	Baud rate *	1200, 2400, 4800, 9600, 19200, 38400, 57600	9600



0x0006	6 / 40007	RW	Response delay, ms	1...255	10
0x0007	7 / 40008	RW	Stop bits, parity bit *	1 – No parity bit, 1 stop bit (default after factory reset) 2 – No parity bit, 2 stop bits 3 – Odd parity, 1 stop bit 4 – Even parity, 1 stop bit <b>NOTE:</b> 3 and 4 are available starting from the Software version 0x218 (dec. 536)	1
0x0008	8 /40009	R	Last error code	1...255	-
0x0011	17 / 40018	RW	Technological: age of last data in seconds (read) / restart (write)	0...65535 s (read), writing 42330 restarts the instrument	-

0x00A5	165 / 40166	RW	Zero adjustments for gas data, ADC	-32000...+32000 ADC units	0
0x00A6	166 / 40167	RW	Slope adjustment for gas data	1...65535	512
0x00A7	167 / 40168	RW	The change rate limit for gas data / s	1...32000, 0 - no limit	0
0x00A8	168 / 40169	RW	Integrating filter time constant, s	1...32000 (seconds), 0 - no filter	0
<b>Addr</b>	<b>Reg / MHR</b>	<b>RW</b>	<b>Description</b>	<b>Supported values (dec)</b>	<b>Default</b>
0x00C9	201 / 40202	RW	Parameter tied to analog output 1	0 – None 2 – Gas concentration 9 – Forced Modbus control, value set in MHR / 40204	2
0x00CA	202 / 40203	RW	Parameter tied to analog output 2	0 – None 2 – Gas concentration 9 – Forced Modbus control, value set in MHR / 40205	2
0x00CB	203 / 40204	RW	Forced value for analog output 1***	0...1000 (0.0%...100.0% of output scale)	0
0x00CC	204 / 40205	RW	Forced value for analog output 2***	0...1000 (0.0%...100.0% of output scale)	0
0x00D3	211 / 40212	RW	Parameter tied to relay RE1	0 – none 2 – gas concentration 9 – control by Modbus control,	2

				state set in MHR / 40214	
0x00D4	212 / 40213	RW	Parameter tied to relay RE2	0 – none 2 – gas concentration 9- – control by Modbus control, state set in MHR / 40215	2
0x00D5	213 / 40214	RW	Forced state for relay RE1***	0 – off, 1 – on	0
0x00D6	214/ 40215	RW	Forced state for relay RE2***	0 – off, 1 – on	0
0x00D7	215 / 40216	RW	Switching delay for relay RE1	0...1000 (s)	0
0x00D8	216 / 40217	RW	Switching delay for relay RE2	0...1000 (s)	0
0x00D9	217 / 40218	RW	Minimal on/off time for relay RE1	0...1000 (s)	0
0x00DA	218 / 40219	RW	Minimal on/off time for relay RE2	0...1000 (s)	0

Addr	Reg / MHR	RW	Description	Supported values (dec)	Default
0x00DB	219 / 40220	RW	Control logic for relay RE1	 <p>0 – none 1 – relay on at high values 2 – relay on at low values 3 – relay on at values within the range 4 – relay on for the values out of the range</p>	0
0x00DC	220 / 40221	RW	Control logic for relay RE2	 <p>0 – none 1 – relay on at high values 2 – relay on at low values 3 – relay on at values within the range 4 – relay on for the values out of the range</p>	0
0x00DD	221 / 40222	RW	LOW setpoint for relay RE1	0...65535 (gas units)	see Specifications

0x00DE	222 / 40223	RW	HIGH setpoint for relay RE1	0...65535 (gas units)	see Specifications
0x00DF	223 / 40224	RW	LOW setpoint for relay RE2	0...65535 (gas units)	see Specifications
0x00E0	224 / 40225	RW	HIGH setpoint for relay RE2	0...65535 (gas units)	see Specifications

Addr	Reg / MHR	RW	Description	Supported values (dec)	Default
0x00FF	255 / 40256	RW	Sensor, analog outputs, LED and buzzer status	bit[0]=0/1 – sensor present/absent, <b>RO</b> bit[1]=0/1 – analog outputs deactivated/activated bit[2]=0/1 – in case the sensor is absent, turn signaling off/on analog output1 bit[3]=0/1 – in case the sensor is absent, turn on signaling with low current/high current on analog output1; if bit[2]=0 this bit will be ignored bit[4]=0/1 – in case of sensor absent, turn signaling off/on analog output2 bit[5]=0/1 – in case of sensor absent, turn on signaling with low current/high current on analog output2; if bit[4]=0 this bit will be ignored bit[6]=0/1 – current/voltage output detected on output1, <b>RO</b> bit[7]=0/1 – current/voltage output detected on output2, <b>RO</b> bit[8]=0/1 – LED deactivated/activated bit[9]=0/1 – buzzer deactivated/activated bit[10]=0/1 - LED is on/off in normal condition bit[11]=0/1 - 1 Hz (50% on, 50% off) LED signal off/on if relay1 turned on bit[12]=0/1 - 2 Hz (50% on, 50% off) LED signal off/on if relay2	user defined

				turned on	
0x0101	257 / 40258	R	Raw gas sensor data	0...4095, ADC units	
0x0103	259 / 40260	R	Gas concentration, gas units	0...65535, gas units	
0x0105	261 / 40262	RW	0% value for analog output 1	-32000...+32000 (gas unit/°C)	User defined
0x0106	262 / 40263	RW	100% value for analog output 1	-32000...+32000 (gas unit/°C)	User defined
0x0107	263 / 40264	RW	0% value for analog output 2	-32000...+32000 (gas unit/°C)	User defined
0x0108	264 / 40265	RW	100% value for analog output 2	-32000...+32000 (gas unit/°C)	User defined

\* – The new value is applied after restart.

\*\* – Broadcast slave ID 0 can be used to assign a new ID to the instrument with an unknown ID. When addressing by ID 0 the device shall be the only Modbus instrument in the network. The device will not respond to the Master command when addressed by ID 0.

\*\*\* – This value is dynamic and not kept in EEPROM after a restart.

## Warranty

This product is warranted to be free from defects in material and workmanship for a period of one year from the date of the original sale. During this warranty period, the Manufacturer will, at its option, either repair or replace a product that proves to be defective. This warranty is void if the product has been operated in conditions outside ranges specified by the Manufacturer or damaged by customer error or negligence or if there has been an unauthorized modification.

## Manufacturer contacts

Evikon MCI OÜ

Teaduspargi 7/9, Tartu

50411 Estonia

info@evikon.eu

www.evikon.eu

