

Flameproof Ammonia Detector-Transmitter E2670-NH3-E



Features

- Aluminium pressure die-casting enclosure
- Suitable for ATEX Zones 2 and 22
- Two analog outputs settable to 4-20 mA or 0-10 V
- RS485 Modbus RTU digital interface
- Relay option

Specifications

Calibration	Ammonia NH ₃			
Sensor type	Electrochemical			
Sampling method	Diffusion			
Detection ranges, ppm	0...100	0...300	0...1000	0...5 000
Maximum overload, ppm	200	500	1500	10 000
Response time T90, s	< 75	< 75	< 75	< 120
Resolution, ppm	1			
Sensor lifetime	> 2 years			
Maintenance interval	6 months			
Signal update	Every 1 second			
Self-diagnostics	Full functionality check at start-up			
Warm-up time	≤ 1 min			
Power supply	12...36 VDC (default), 24 VAC or 230 VAC as options			
Power consumption	< 2 VA			
Digital interface	RS485, Modbus RTU protocol			
Analog outputs	2 × 4-20 mA / 0-10 V, user settable			
Output scale width	Recommended: 20-100% of the range; > 10 × resolution in any case			
Enclosure	Grey die-cast aluminium, wall-mount, protection class IP65			
Dimensions	H155 × W145 × D110 mm			
Operating environment	Industrial indoor and outdoor locations			
Operating conditions	-40...+50°C, -30...+50°C (for 0...5 000 ppm), 15...90 %RH non-condensing; 0,9...1,1 atm; Explosion-safe areas; Non-aggressive atmosphere			
	NOTE! The device is not suitable for areas with constantly high ammonia concentration.			
	NOTE! We offer technical solutions for extreme humidity, please ask for more information.			

Approvals

Enclosure:

ATEX / IECEx
 FTZU 03 ATEX 0207U
 IECEx FTZU 12.0017U

⊕ Ex II 2 G Ex db IIC Gb
 ⊕ Ex II 2 D Ex tb IIIC Db

Glands:

ATEX / IECEx
 EESF 19 ATEX 023X
 ⊕ Ex II 2G Ex db IIC Gb
 ⊕ Ex II 2D Ex tb IIIC Db IP66

CE conformity

Flameproof to IEC EN 60079-0, EN 60079-1,
 EN 60079-31
 EMC Emissions to EN 61000-6-3, EN 61326-1
 EMC Immunity to EN 61000-6-1, EN 61000-6-2

Ask for other versions or custom designed products

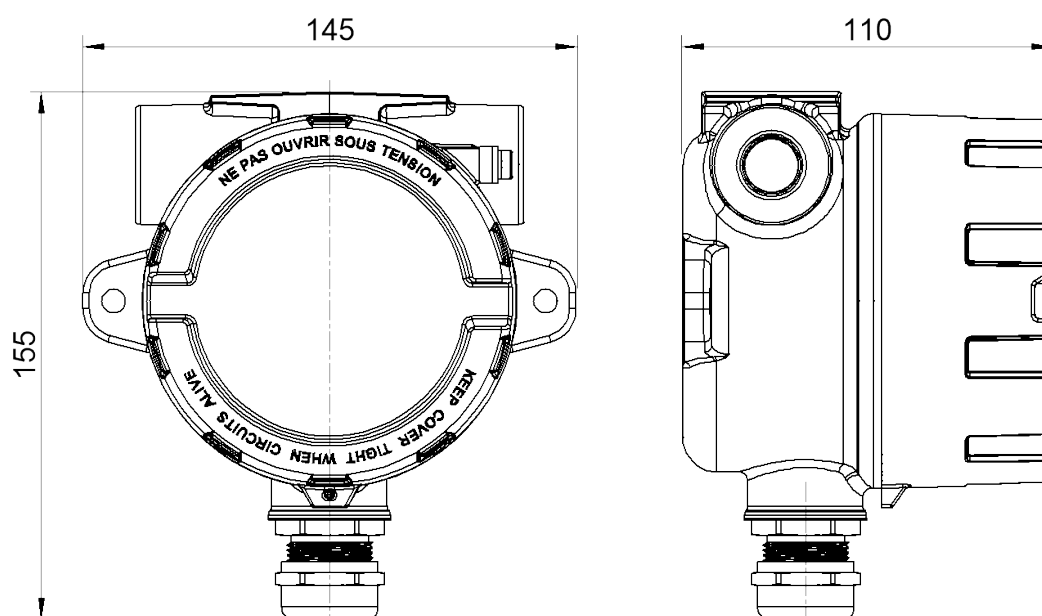


Additional options

Relay option (ordering code R)

Output relays	2 × SPST relays (closing contact), 250 VAC / 30 VDC, 5 A max
Default alarm setpoints	For 0...100 ppm range: RE1 (LOW): set 25; release 20 ppm RE2 (HIGH): set 35; release 28 ppm For other ranges: defined by user within 5-95% of the detection range

Dimensions



Mounting holes

